



The perfect 'Hotel' light! It combines the best technology features in a small, light, and unobtrusive fixture. Its motorized zoom changes beam size from 10 to 26 degrees while maintaining a strong output. An RGB configuration of 60 Luxeon Rebel LEDs gives a broad mixing palette of colors from primary saturates to subtle pastels. Compact size and light weight make the Volklicht Z nimble: the pan and tilt move at incredibly fast speeds, almost quickly enough to match the solid state LEDs themselves!

ADDITIVE COLOR MIXING LEDs

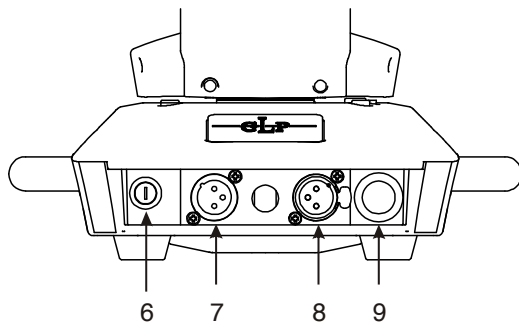
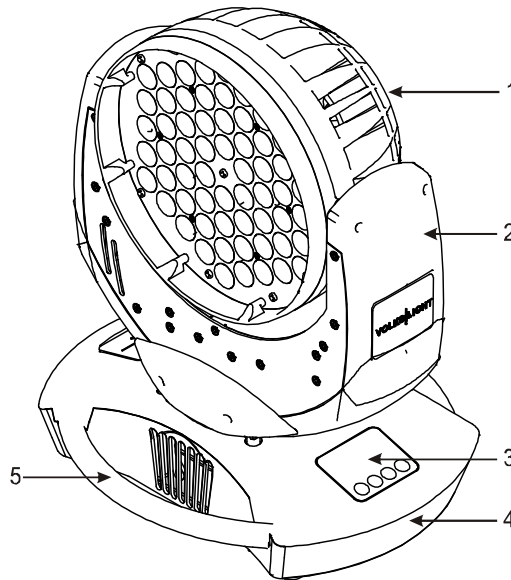
20x LUXEON REBEL HIGH POWER LEDs

LIFETIME: 50,000h

MOTORIZED ZOOM: 10° - 26°

RANDOM STROBE / PULSE EFFECTS

1. Moving head (actively and passively cooled)
2. Arm with various cooling vents
3. LCD-Display/Menu (data entry)
4. Base with various connectors and Camlock mounting system
5. Carrying handle. It is also used to attach the safety cable



6. Micro-fuse 5x20mm, T2A
7. DMX- Input (3 pole)
8. DMX- Output (3 pole)
9. Power On-/Off

GENERAL

Lighting System: Additive Color mixing

LEDs

Type: 60x Luxeon Rebel high-power LEDs

RGB Model: 21 Green LEDs, 21 blue LEDs, 18 Red LEDs,
wavelength optimized for a maximum presentable color space

Lifetime: 50.000h

OPTICAL SYSTEM

Motorized Zoom: 10°-26°

SHUTTER / DIMMER

Strobe Effects

Variable speed between 1–10 flashes per second

Random Strobe

Pulse Effects

Continuous: Dimmer 0–100%

DMX CONTROL

Standard USITT DMX-512, 3-pole XLR

DMX Addressing: Starts at the DMX channel [001]

POWER SUPPLY

Requirement: ~100 to 240VAC, 50/60Hz (wide range input)

Power consumption: 180 W

Fuse protection: Micro fuse 5x20mm, T 4A

PHYSICAL

Dimensions: 9.5"L x 11.2"W x 14"H with head vertical (242 x 285 x 356 mm)

Weight: 17.2 lbs

Mounting: hang, mount on wall, stand on floor (0.5m clearance required for fire safety)

ENVIRONMENTAL

Maximum ambient temperature: 114°F (45°C)

Integrated overheating switch